

**GLAZING DETAIL**  
1-1/4" OVERALL LAM. GLASS

**SERIES 'SLIMPACT' OUTSWING GLASS DOOR**

THIS PRODUCT HAS BEEN DESIGNED AND TESTED TO COMPLY WITH THE REQUIREMENTS OF THE 2014 (5TH EDITION)/2017 (6TH EDITION) FLORIDA BUILDING CODE INCLUDING HIGH VELOCITY HURRICANE ZONE (HVHZ).

1BY OR 2BY WOOD BUCKS & BUCK FASTENERS BY OTHERS, MUST BE DESIGNED AND INSTALLED ADEQUATELY TO TRANSFER APPLIED PRODUCT LOADS TO THE BUILDING STRUCTURE.

ANCHORS SHALL BE CORROSION RESISTANT, SPACED AS SHOWN ON DETAILS AND INSTALLED PER MANUF'S INSTRUCTIONS. SPECIFIED EMBEDMENT TO BASE MATERIAL SHALL BE BEYOND WALL DRESSING OR STUCCO.

A LOAD DURATION INCREASE IS USED IN DESIGN OF ANCHORS INTO WOOD ONLY.

ALL SHIMS TO BE HIGH IMPACT, NON-METALLIC AND NON-COMPRESSIBLE.

MATERIALS INCLUDING BUT NOT LIMITED TO STEEL/METAL SCREWS, THAT COME INTO CONTACT WITH OTHER DISSIMILAR MATERIALS SHALL MEET THE REQUIREMENTS OF THE 2014/2017 FLORIDA BLDG. CODE & ADOPTED STANDARDS.

THIS PRODUCT APPROVAL IS GENERIC AND DOES NOT PROVIDE INFORMATION FOR A SITE SPECIFIC PROJECT, I.E. LIFE SAFETY OF THIS PRODUCT, ADEQUACY OF STRUCTURE RECEIVING THIS PRODUCT AND SEALING AROUND OPENING FOR WATER INFILTRATION RESISTANCE ETC.

CONDITIONS NOT SHOWN IN THIS DRAWING ARE TO BE ANALYZED SEPARATELY, AND TO BE REVIEWED BY BUILDING OFFICIAL.

MANUFACTURER'S LABEL SHALL BE LOCATED ON A READILY VISIBLE LOCATION IN ACCORDANCE WITH SECTION 1709.9.3 OF FLORIDA BUILDING CODE. LABELING TO COMPLY WITH SECTION 1709.9.2.

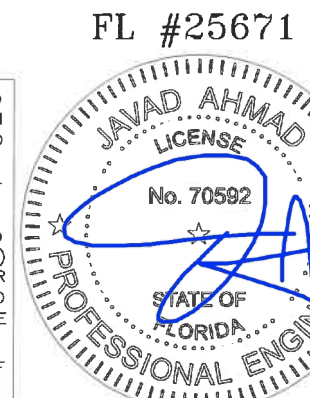
DOORS NOT APPROVED FOR INSTALLATIONS WHERE WATER INFILTRATION RESISTANCE IS REQUIRED.

DOORS LOAD CAPACITY - PSF							
SINGLE DOOR DIMS.		DOUBLE DOOR DIMS.		LEAF DIMS.		EXT.(+)	INT.(-)
WIDTH	HEIGHT	WIDTH	HEIGHT	WIDTH	HEIGHT		
62"	95-1/2"	122-1/4"	95-1/2"	60"	89-15/16"	90.0	90.0
50"	125-1/4"	98-1/4"	125-1/4"	48"	119-11/16"	90.0	90.0

SEE SHEET 3 FOR ANCHOR LIMITATIONS

NOTE:  
GLASS CAPACITIES ON THIS SHEET ARE BASED ON ASTM E1300-09 (3 SEC. GUSTS) AND FLORIDA BUILDING COMMISSION DECLARATORY STATEMENT DCA05-DEC-219

A- CONTRACTOR TO BE RESPONSIBLE FOR THE SELECTION, PURCHASE AND INSTALLATION OF THIS PRODUCT BASED ON THIS PRODUCT EVALUATION PROVIDED HE/SHE DOES NOT DEVIATE FROM THE CONDITIONS DETAILED ON THIS DOCUMENT.  
B- THIS PRODUCT EVALUATION DOCUMENT WILL BE CONSIDERED INVALID IF ALTERED BY ANY MEANS.  
C- SITE SPECIFIC PROJECTS SHALL BE PREPARED BY A FLORIDA REGISTERED ENGINEER OR ARCHITECT WHICH WILL BECOME THE ENGINEER OF RECORD (E.O.R.) FOR THE PROJECT AND WHO WILL BE RESPONSIBLE FOR THE PROPER USE OF THE P.E.D. ENGINEER OF RECORD, ACTING AS A DELEGATED ENGINEER TO THE P.E.D. ENGINEER SHALL SUBMIT TO THIS LATTER THE SITE SPECIFIC DRAWINGS FOR REVIEW.  
D- THIS P.E.D. SHALL BEAR THE DATE AND ORIGINAL SEAL AND SIGNATURE OF THE PROFESSIONAL ENGINEER OF RECORD THAT PREPARED IT.



**AL-FAROOQ CORPORATION**  
ENGINEERS & PRODUCT DEVELOPMENT  
9360 SUNSET DRIVE, SUITE 220  
MIAMI, FLORIDA 33173 (C.A.N. 3538)  
TEL (305) 264-8100 FAX (305) 262-6978  
COMP-ANL\W17-99FGT

SLIMPACT OUTSWING GLASS DOOR (L.M.I.)

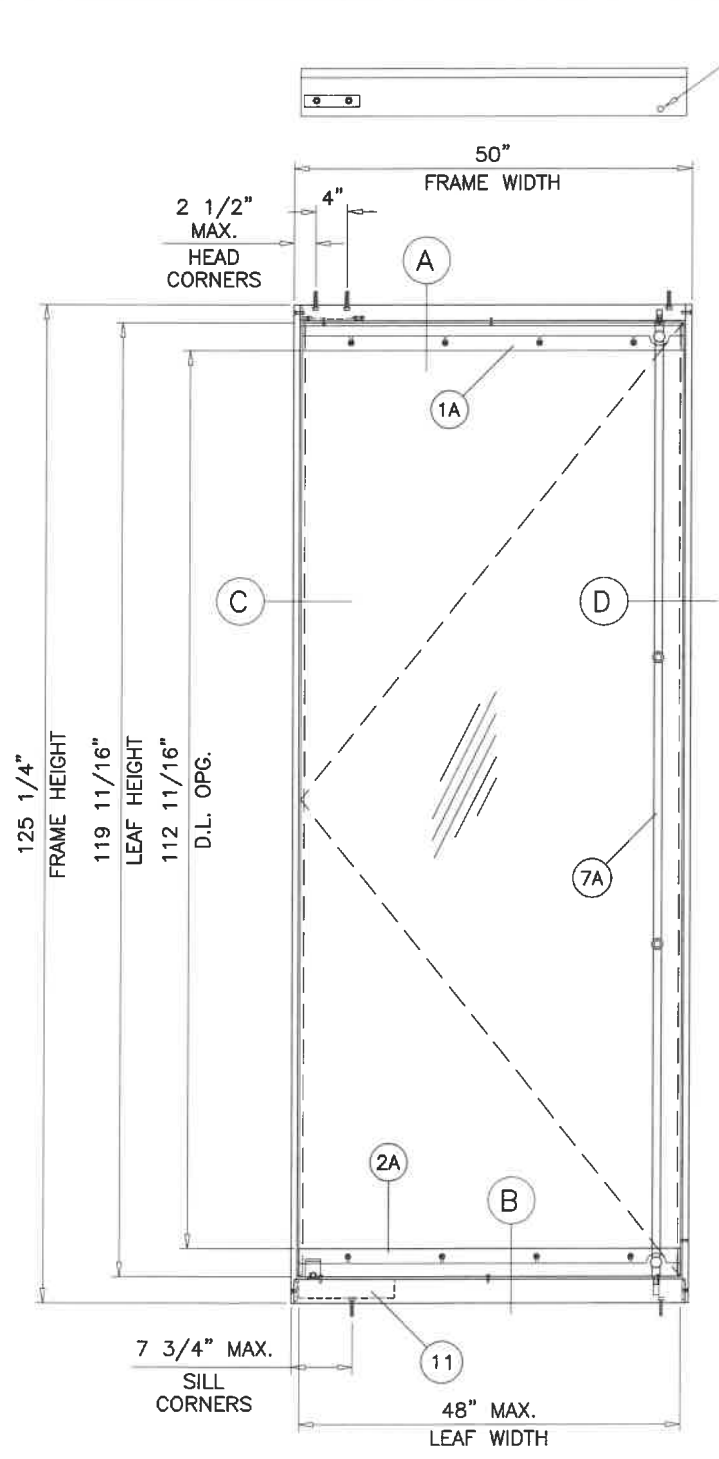
**Faour Glass Technologies**  
5119 West Knox Street  
Tampa, FL. 33634  
Tel. (813) 884-3297 Fax. (-)

revisions:  
no. date by description

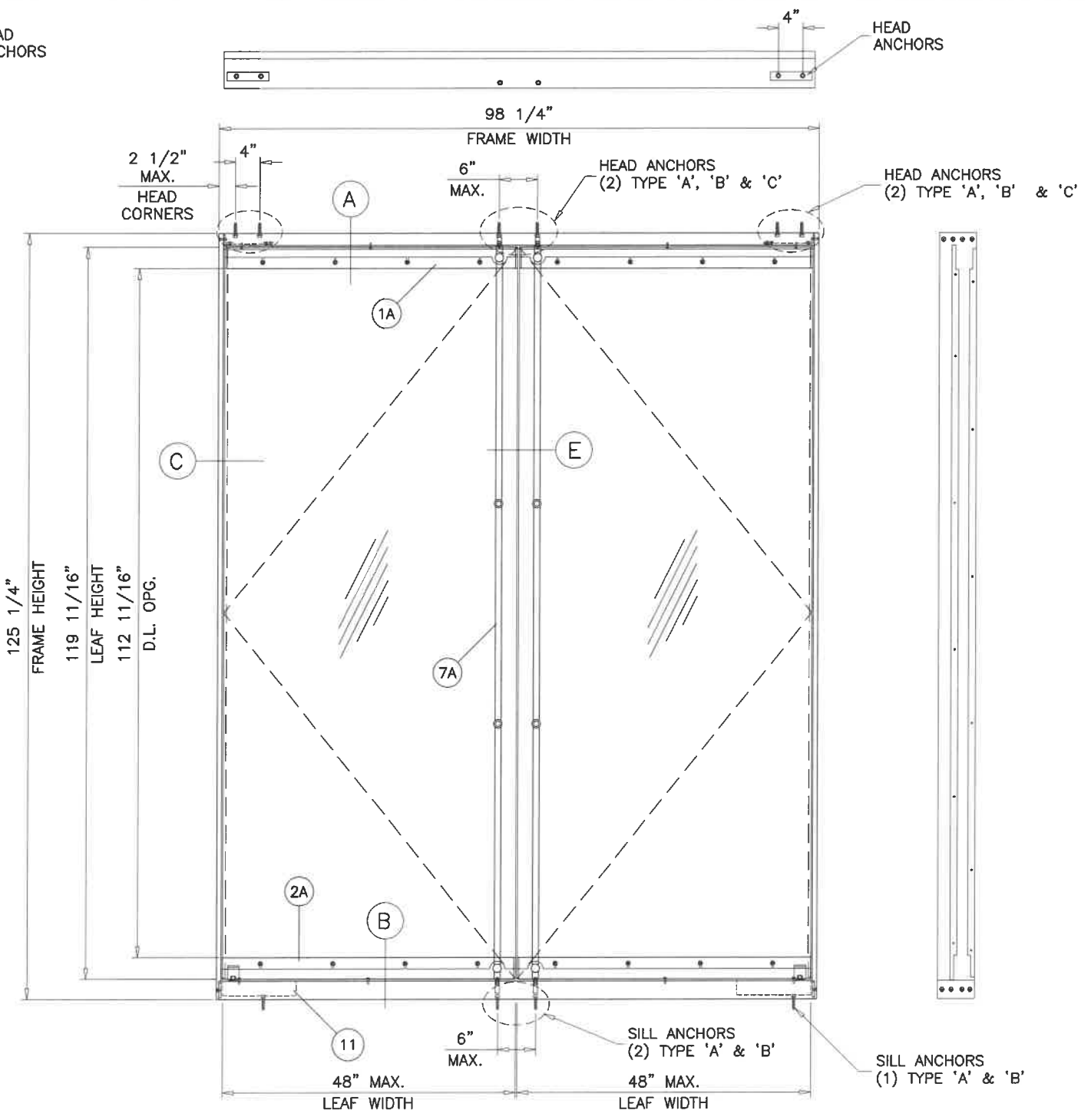
date: 11-08-17  
scale: 3/8" = 1"  
dr. by: TARIQ  
chk. by:

drawing no.  
**W17-99**

sheet 1 of 7

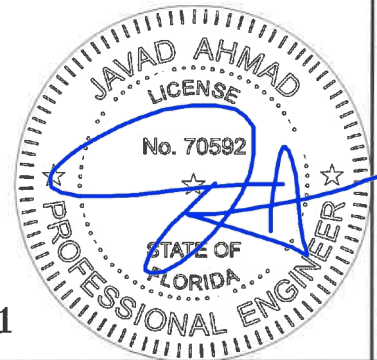


TYPICAL ELEVATION  
( X )



TYPICAL ELEVATION  
( XX )

SEE CHART ON SHEET 1 FOR MAX. DESIGN LOAD CAPACITY  
SEE SHEET 3 FOR ANCHOR REQUIREMENTS.



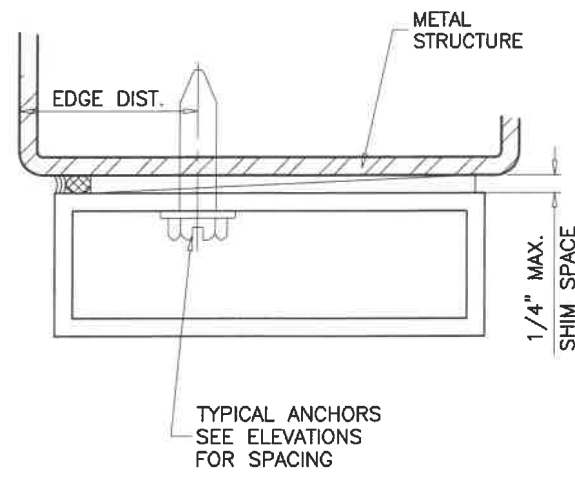
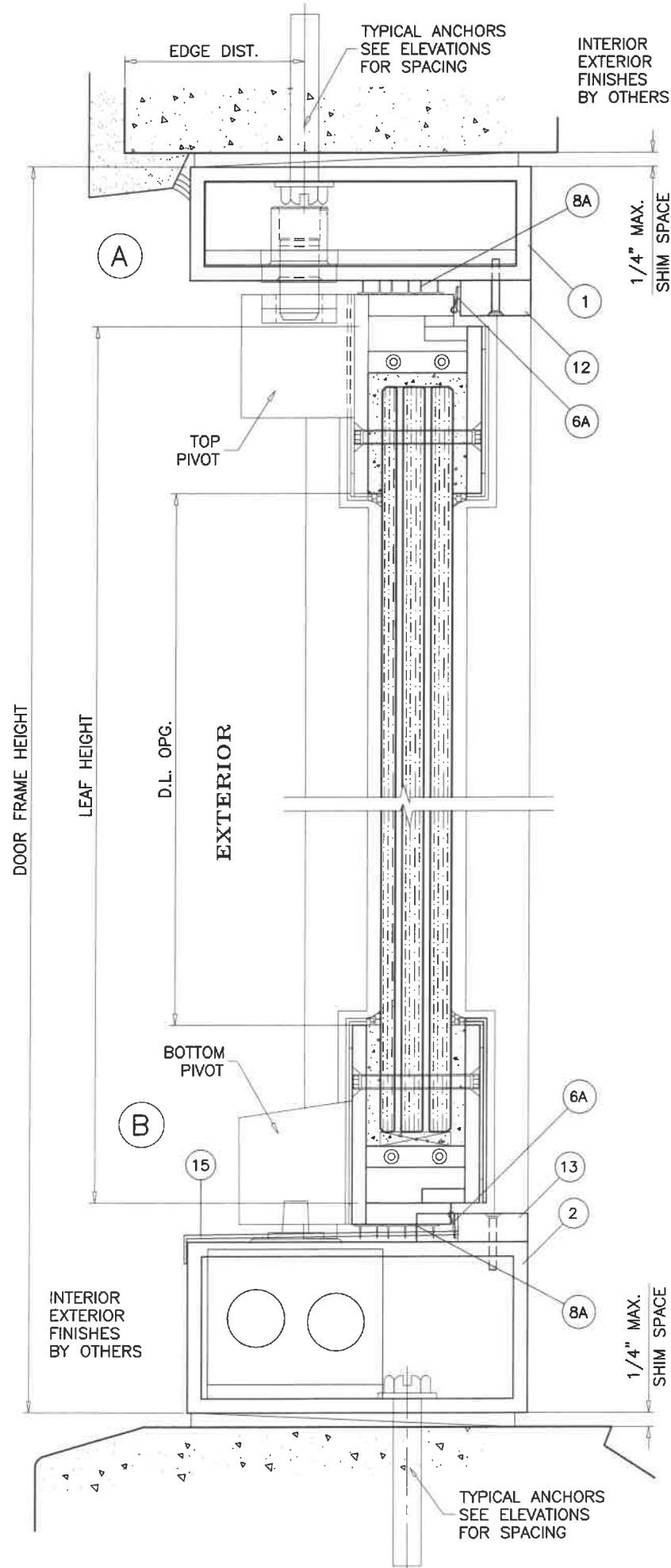
FL #25671

Sealed 12/18/17

**af c**  
**AL-FAROOQ CORPORATION**  
 ENGINEERS & PRODUCT DEVELOPMENT  
 9360 SUNSET DRIVE, SUITE 220  
 MIAMI, FLORIDA 33173 (C.A.N. 3538)  
 TEL. (305) 264-8100 FAX. (305) 262-6978  
 COMP-ANL\W17-99FGT

SLIMPACT OUTSWING GLASS DOOR (L.M.I.)  
**Faour Glass Technologies**  
 5119 West Knox Street  
 Tampa, FL. 33634  
 Tel. (813) 884-3297 Fax. (-)

revisions:	no	date	by	description
date:	11-08-17	scale:	1/2"=1'-0"	
dr. by:	TARIQ	chk. by:		
drawing no.	W17-99			
sheet	2 of 7			



**TYPICAL ANCHORS:**

**ANCHOR 'A'**

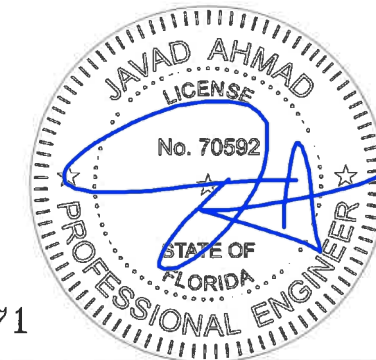
**3/8" DIA. ConFlex BY 'ELCO'**  
 DIRECTLY INTO 3000 PSI MIN. CONCRETE  
 WITH 3-1/2" MIN. EMBED  
 3-3/16" MIN. EDGE DISTANCE

**ANCHOR 'B'**

**3/8" DIA. KWIK BOLT-3 ST/ST EXPANSION ANCHOR**  
 DIRECTLY INTO 3000 PSI MIN. CONCRETE  
 WITH 2-1/2" MIN. EMBED  
 2-7/8" MIN. TYPICAL EDGE DISTANCE  
 FOR LESSER EDGE DIST. REDUCE  
 MAX. DESIGN LOADS AS FOLLOWS  
 2-3/4" EDGE DIST. MAX. LOAD = 83 PSF  
 2-1/2" EDGE DIST. MAX. LOAD = 75 PSF

**ANCHOR 'C'**

**3/8" DIA. TAP-FLEX BY 'ELCO' (GRADE 5 CRS)**  
 INTO METAL STRUCTURES  
 ALUMINUM: 1/4" THK. MIN. (6063-T5 MIN.)  
 STEEL: 1/8" THK. MIN. (Fy = 36 KSI MIN.)  
 (STEEL IN CONTACT WITH ALUMINUM TO BE PLATED OR PAINTED)



FL #25671

**af c**  
**AL-FAROOQ CORPORATION**  
 ENGINEERS & PRODUCT DEVELOPMENT  
 9360 SUNSET DRIVE, SUITE 220 (C.A.N. 3538)  
 MIAMI, FLORIDA 33173 TEL. (305) 264-8100 FAX. (305) 262-8978  
 COMP-ANL\W17-99FCT

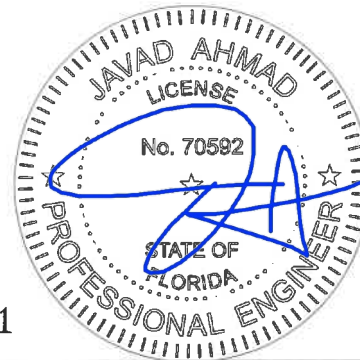
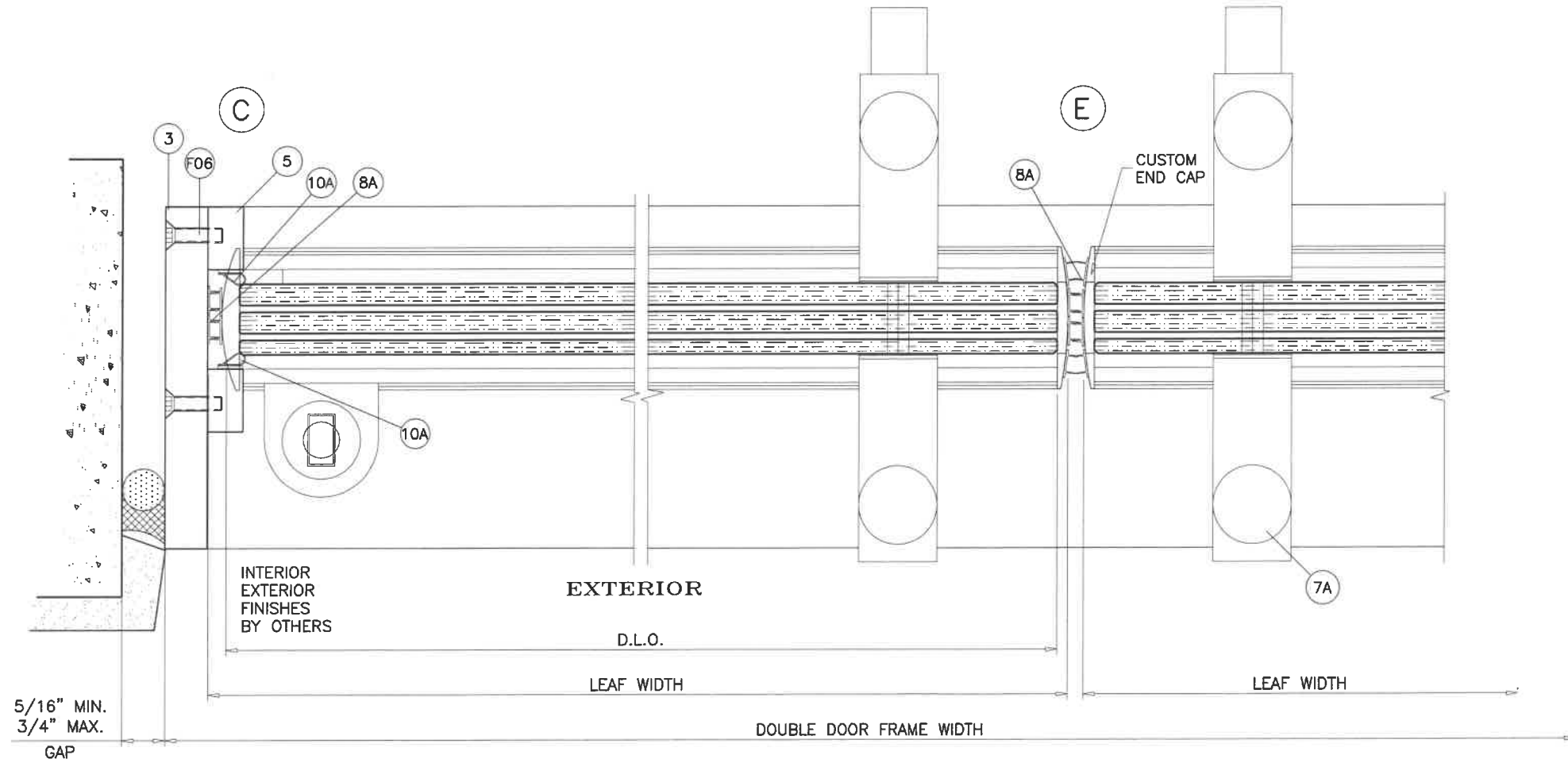
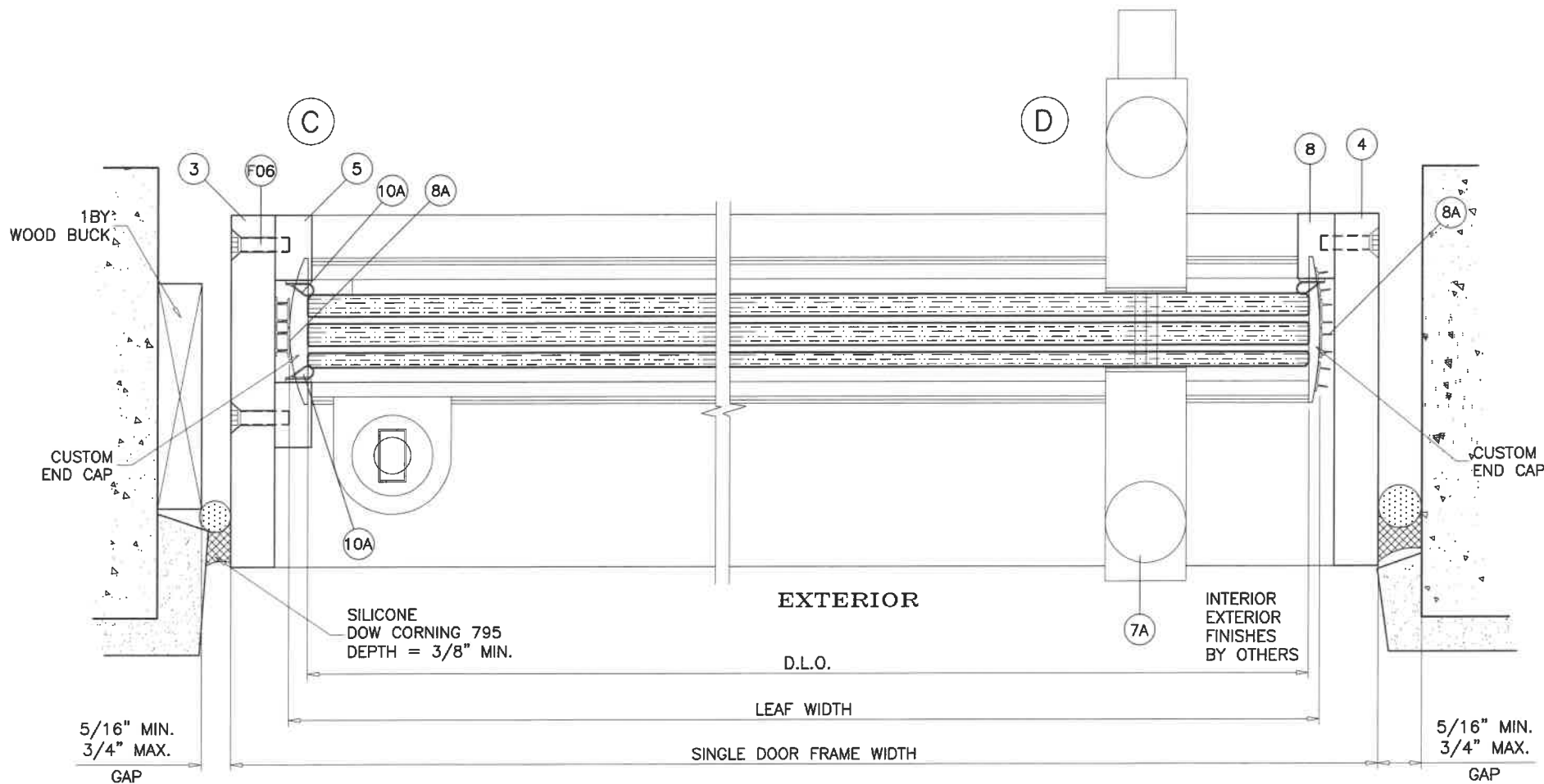
SLIMPACT OUTSWING GLASS DOOR (L.M.I.)  
**Faour Glass Technologies**  
 5119 West Knox Street  
 Tampa, FL. 33634  
 Tel. (813) 884-3297 Fax. (-)

revisions:	no	date	by	description

date: 11-08-17  
 scale: 3/8" = 1"  
 dr. by: TARIQ  
 chk. by:

drawing no.  
**W17-99**  
 sheet 3 of 7





FL #25671

**af c**  
**AL-FAROOQ CORPORATION**  
 ENGINEERS & PRODUCT DEVELOPMENT  
 9360 SUNSET DRIVE, SUITE 220  
 MIAMI, FLORIDA 33173 (C.A.N. 3538)  
 TEL. (305) 264-8100 FAX. (305) 262-6978  
 COMP-ANL\W17-99FGT

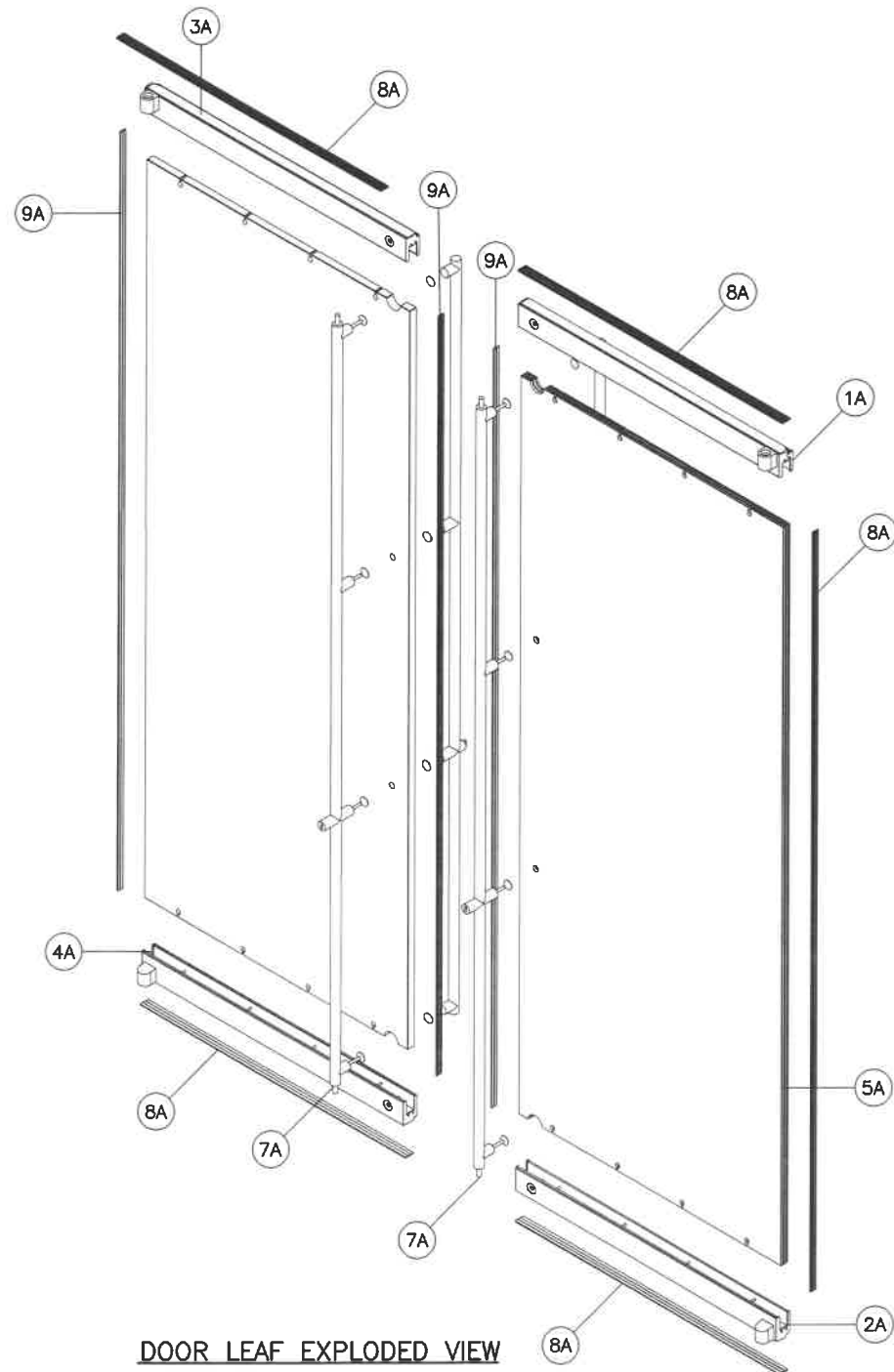
SLIMPACT OUTSWING GLASS DOOR (L.M.I.)  
**Faour Glass Technologies**  
 5119 West Knox Street  
 Tampa, FL. 33634  
 Tel. (813) 884-3297 Fax. (-)

revisions:	
no	date by description

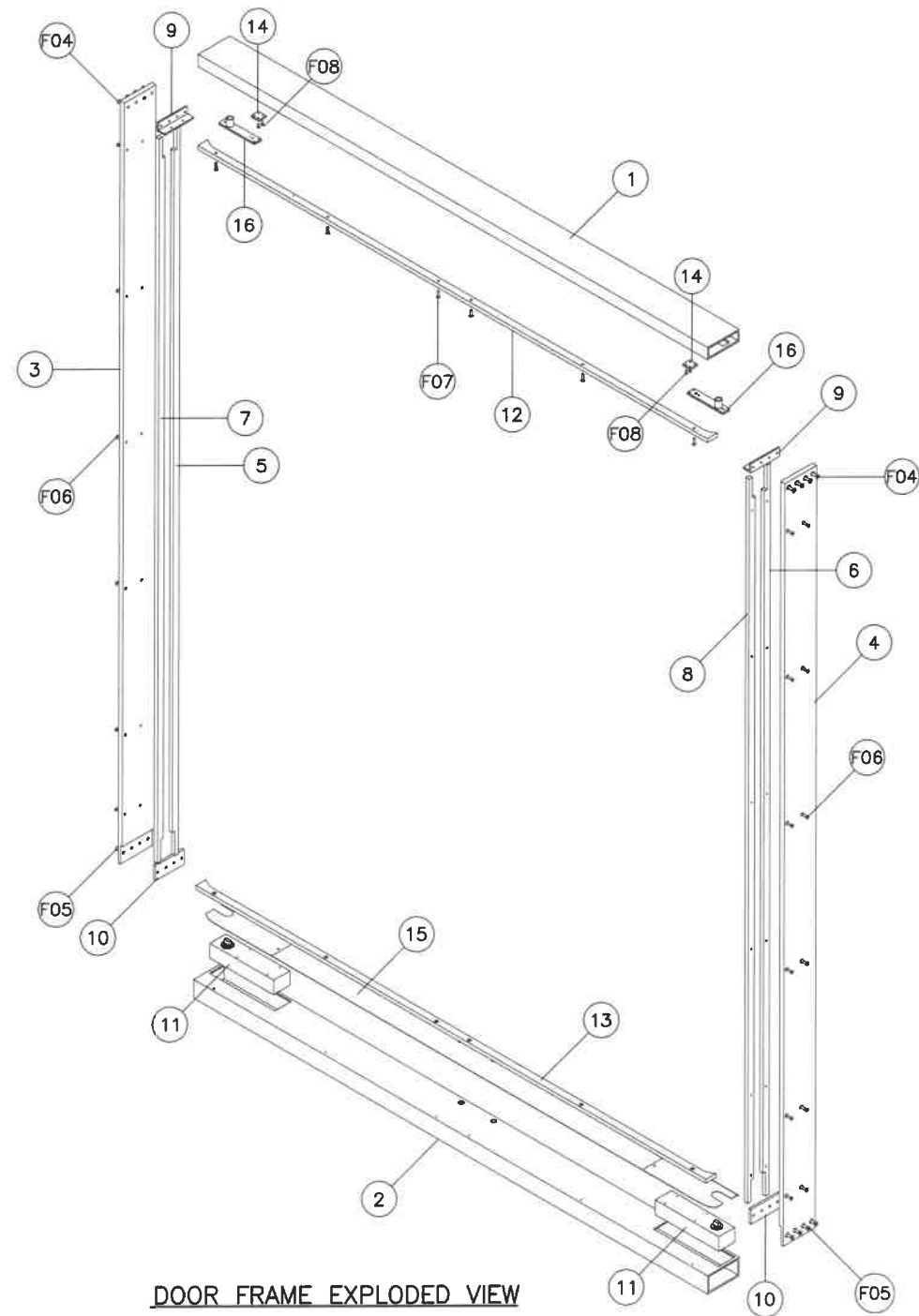
date: 11-08-17  
 scale: 3/8" = 1"  
 dr. by: TARIQ  
 chk. by:

drawing no.  
**W17-99**

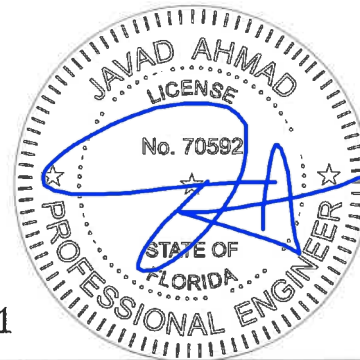
sheet 4 of 7



DOOR LEAF EXPLODED VIEW



DOOR FRAME EXPLODED VIEW



FL #25671

**afc**

**AL-FAROOQ CORPORATION**  
 ENGINEERS & PRODUCT DEVELOPMENT  
 9360 SUNSET DRIVE, SUITE 220 (C.A.N. 3538)  
 MIAMI, FLORIDA 33173 FAX. (305) 262-6978  
 TEL. (305) 264-8100 COMP-ANL \ W17-99FGT

---

SLIMPACT OUTSWING GLASS DOOR (L.M.I.)

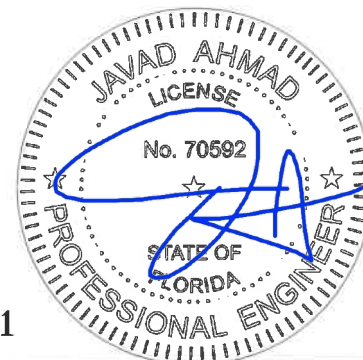
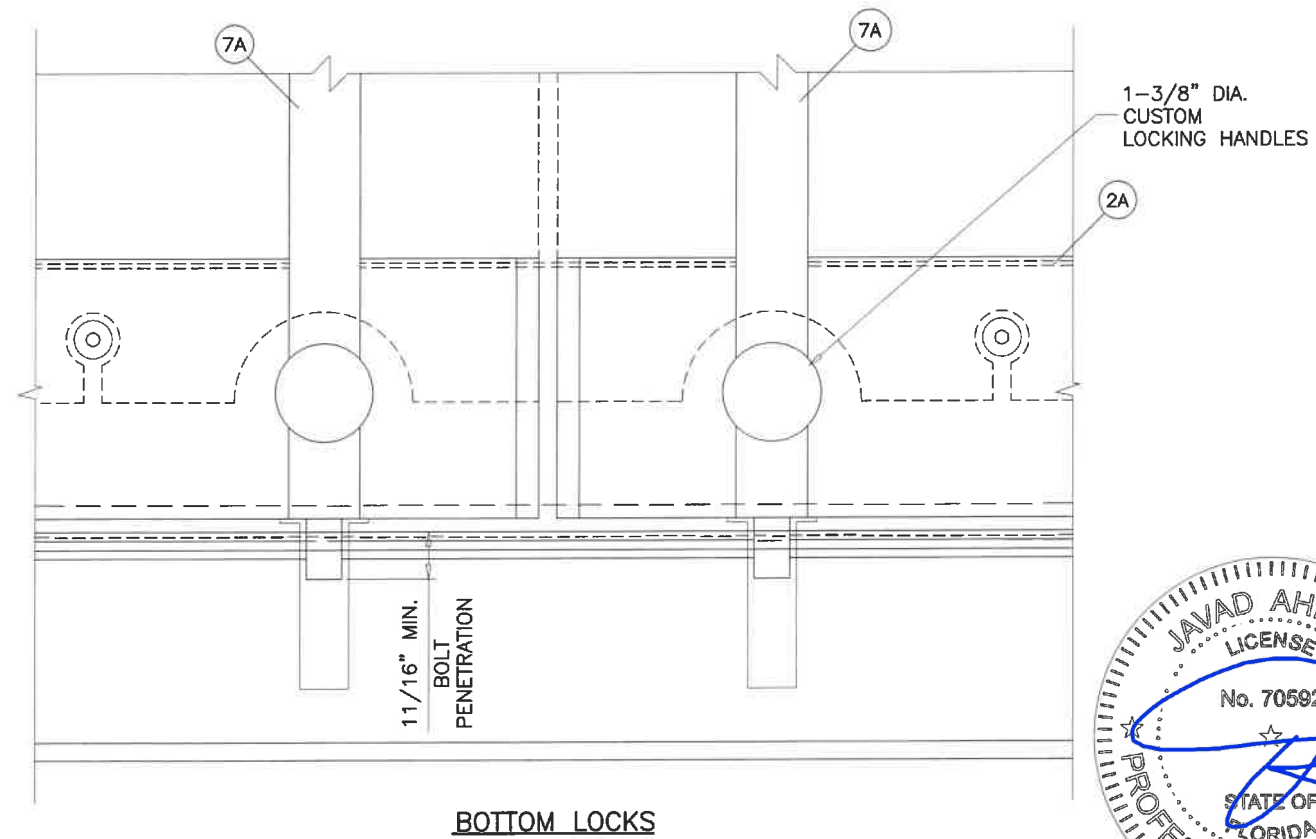
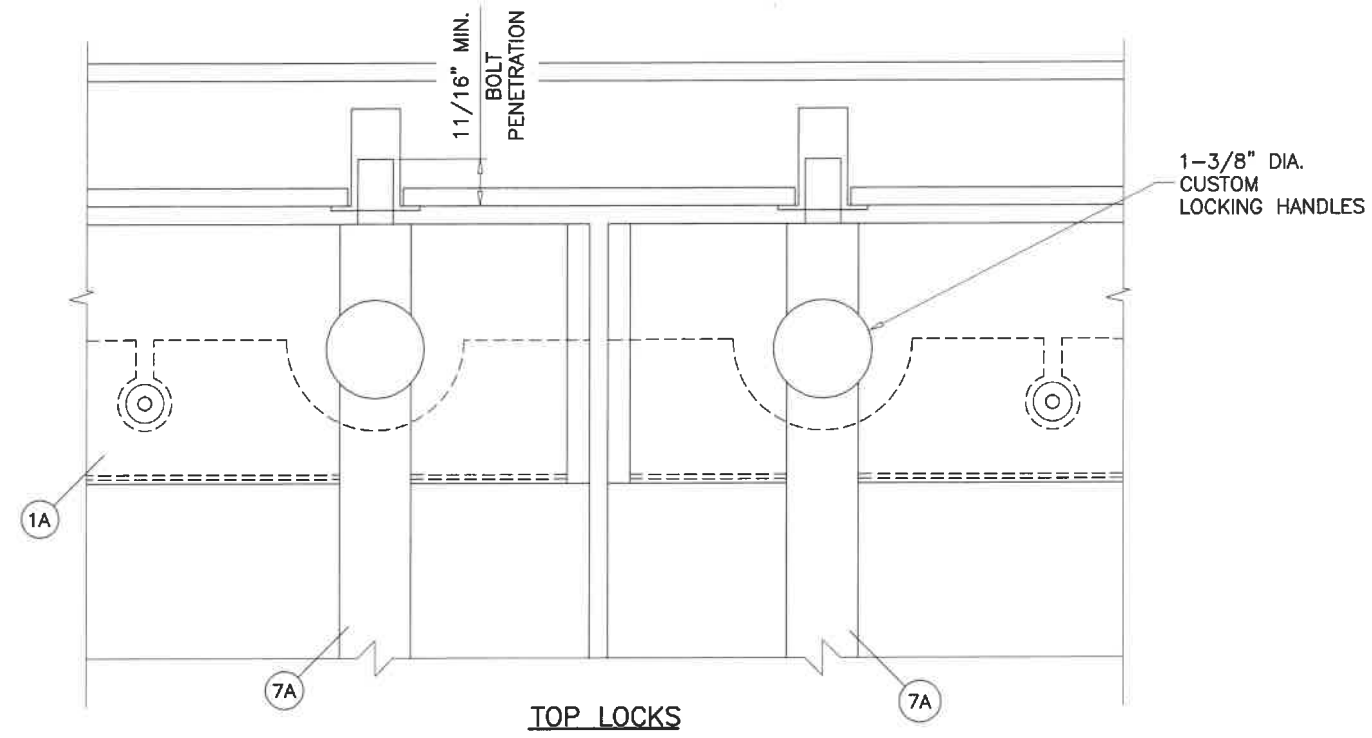
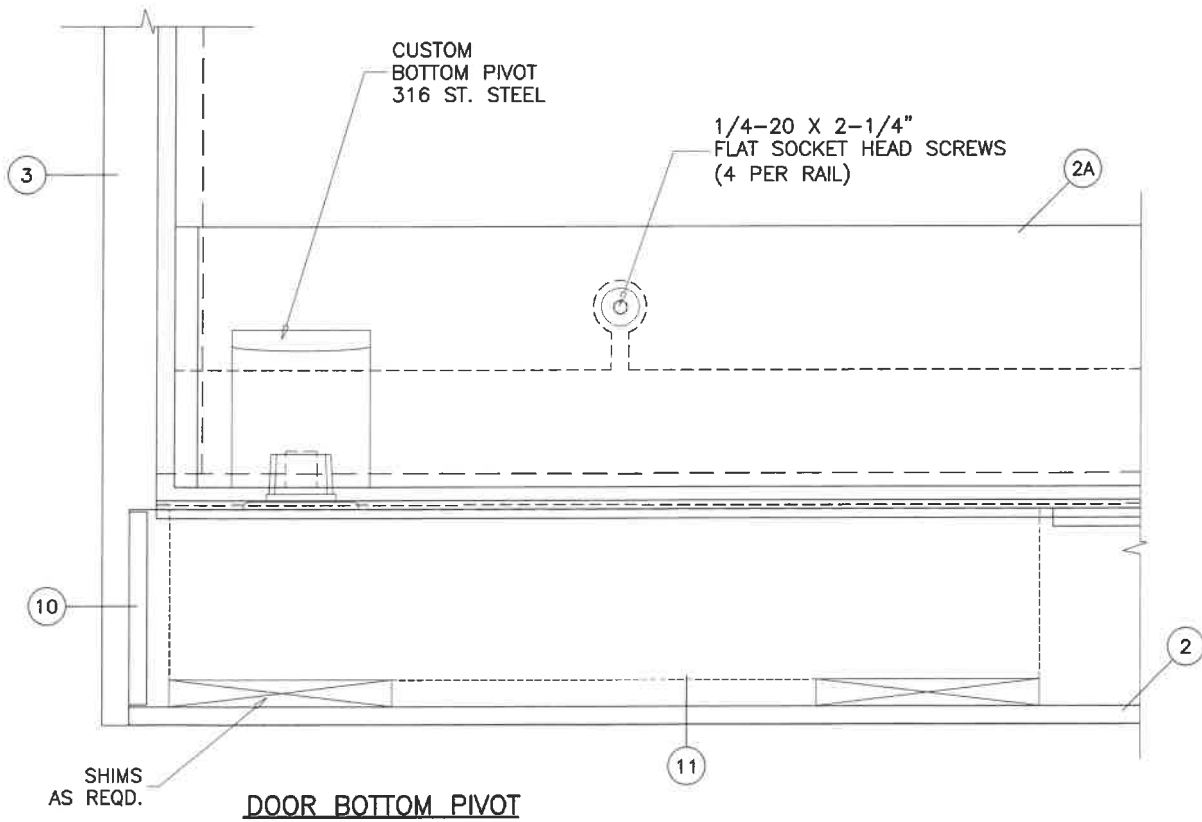
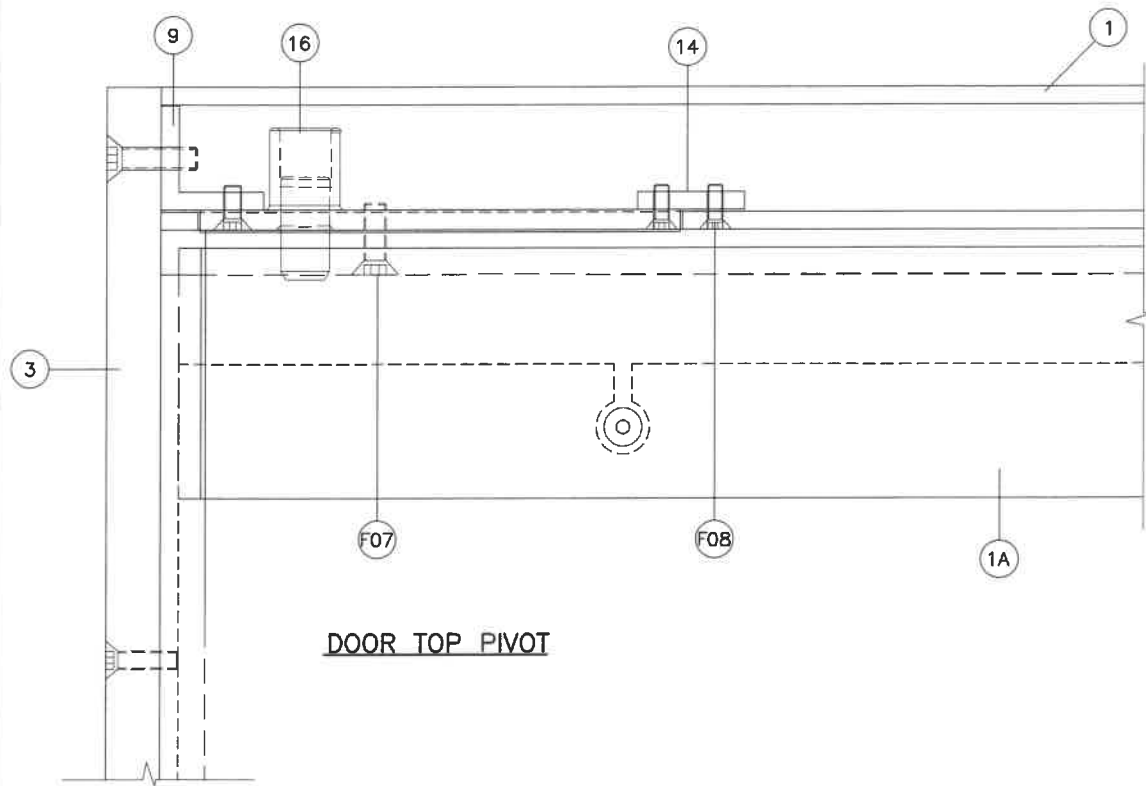
**Faour Glass Technologies**  
 5119 West Knox Street  
 Tampa, FL. 33634  
 Tel. (813) 884-3297 Fax. (-)

revisions:	
no	date by description

date: 11-08-17	scale: 3/8" = 1"	dr. by: TARIQ	chk. by:
----------------	------------------	---------------	----------

drawing no. **W17-99**

sheet 5 of 7



FL #25671

**af c**  
**AL-FAROOQ CORPORATION**  
 ENGINEERS & PRODUCT DEVELOPMENT  
 9360 SUNSET DRIVE, SUITE 220 (C.A.N. 3538)  
 MIAMI, FLORIDA 33173 TEL. (305) 264-8100 FAX. (305) 262-6978  
 COMP-ANL \ W17-99FGT

SLIMPACT OUTSWING GLASS DOOR (L.M.I.)

**Faour Glass Technologies**  
 5119 West Knox Street  
 Tampa, FL. 33634  
 Tel. (813) 884-3297 Fax. (-)

revisions:  
 no date by description

date: 11-08-17  
 scale: 3/8" = 1"  
 dr. by: TARIQ  
 chk. by:

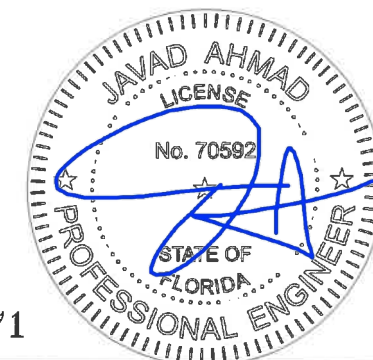
drawing no.  
**W17-99**  
 sheet 6 of 7




ITEM #	REQD.	PART #	DESCRIPTION
1	1	ST-HT-1	6" X 2" X 1/4" X 96-3/4" 6063-T5 ALUMINUM TUBE
2	1	ST-ST-1	6" X 3" X 1/4" X 97-1/4" 6063-T5 ALUMINUM TUBE
3	1	ST-JAMB-D1	6" X 3/4" X 125-1/4" 6061-T6 ALUMINUM FLAT BAR
4	1	ST-JAMB-D2	6" X 3/4" X 125-1/4" 6061-T6 ALUMINUM FLAT BAR
5	1	ST-ESJ-D1	1-1/8" X 5/8" X 120-1/16" 6061-T6 ALUMINUM FLAT BAR
6	1	ST-ESJ-D2	1-1/8" X 5/8" X 120-1/16" 6061-T6 ALUMINUM FLAT BAR
7	1	ST-ISJ-D1	1-1/8" X 5/8" X 119" 6061-T6 ALUMINUM FLAT BAR
8	1	ST-ISJ-D2	1-1/8" X 5/8" X 119" 6061-T6 ALUMINUM FLAT BAR
9	2	ST-6X2-EC	1-7/16" X 1-7/16" X 1/4" X 5-7/16" 6061-T6 ALUMINUM ANGLE
10	2	ST-6X3-EC	2-7/16" X 5-7/16" X 1/4" 6061-T6 ALUMINUM FLAT BAR
11	2	ST-FLC	JACKSON 993 SERIES FLOOR CLOSURE-CRL STOCK ITEM
12	1	ST-HDS	1-15/16" X 5/8" X 96-3/4" 6061-T6 ALUMINUM FLAT BAR
13	1	ST-TDS	1-15/16" X 1/2" X 96-3/4" 6061-T6 ALUMINUM FLAT BAR
14	2	ST-TPPL	1-1/2" X 1-3/8" X 1/4" 6061-T6 ALUMINUM FLAT BAR
15	1	ST-TCL-ASSM	.060 ALUMINUM CLADDING
16	2	ST-TPV-CP	TOP PIVOT AND COVER PLATE - CRL STOCK ITEM
F-04	8	5/16-18 X 1-1/4"	HEXAGON SOCKET FLAT COUNTERSUNK HEAD CAP SCREW
F-05	8	5/16-18 X 3/4"	HEXAGON SOCKET FLAT COUNTERSUNK HEAD CAP SCREW
F-06	24	1/4-20 X 1-1/4"	HEXAGON SOCKET FLAT COUNTERSUNK HEAD CAP SCREW
F-07	12	1/4-20 x 1"	HEXAGON SOCKET FLAT COUNTERSUNK HEAD CAP SCREW
F-08	4	12-24 X 9/16"	FLAT COUNTERSUNK MACHINE SCREW
1A	1	TDR-1.1	TOP DOOR RAIL ASSEMBLY
2A	1	TDR-1.2	BOTTOM DOOR RAIL ASSEMBLY
3A	1	TDR-2.1	TOP DOOR RAIL ASSEMBLY
4A	1	TDR-2.2	BOTTOM DOOR RAIL ASSEMBLY
5A	1	G-1	DOOR GLASS
6A	AS REQD.	HSS2000XS88BL	BULB SEAL BY 'PEMKO'
7A	2	TD-HANDLE	CUSTOM HANDLE ASSEMBLY
8A	12	PK-772	PEMKO DOOR SEAL TOP AND BOTTOM
9A	8	PK-772	PEMKO DOOR SEAL-JAMBS
10A	-	S88	PEMKO DOOR SEAL-JAMBS
11A	2/ LEAF	-	SETTING BLOCK (1/4" X 1-1/4" X 4" LONG), DUROMETER 85±5 SHORE A

**SEALANTS:**

ALL JOINTS AND FRAME CONNECTIONS SEALED WITH DOW CORNING 795 SEALANT.



FL #25671



**AL-FAROOQ CORPORATION**  
 ENGINEERS & PRODUCT DEVELOPMENT  
 9360 SUNSET DRIVE, SUITE 220  
 MIAMI, FLORIDA 33173 (C.A.N. 3538)  
 TEL. (305) 264-8100 FAX. (305) 262-6978  
 COMP-ANL\W17-99FGT

---

SLIMPACT OUTSWING GLASS DOOR (L.M.I.)

**Faour Glass Technologies**  
 5119 West Knox Street  
 Tampa, FL. 33634  
 Tel. (813) 884-3297 Fax. (-)

---

revisions:	no	date	by description

---

date: 11-08-17	scale: 3/8" = 1"	dr. by: TARIQ	chk. by:
----------------	------------------	---------------	----------

---

drawing no. **W17-99**  
 sheet 7 of 7